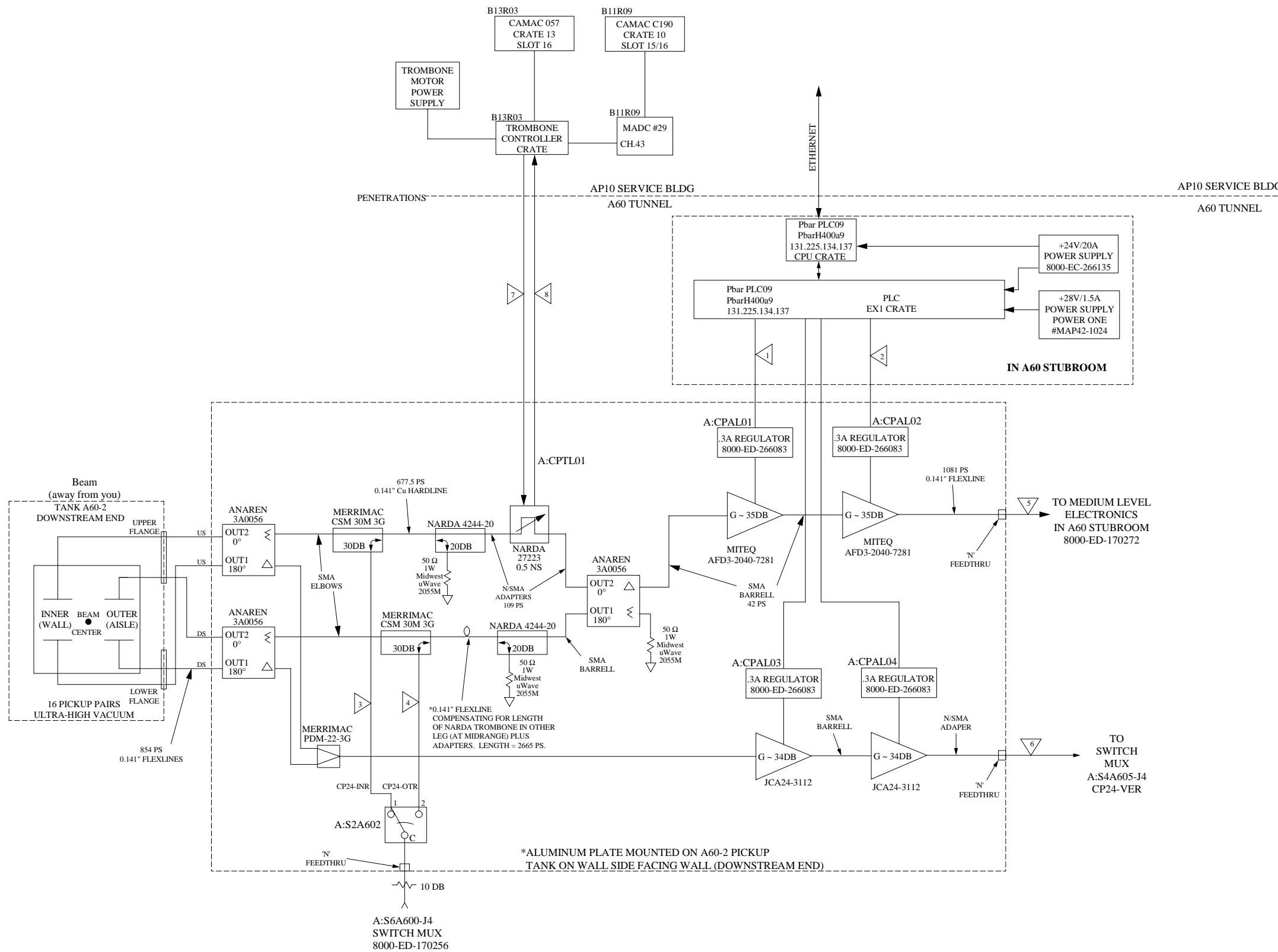


REV.	DESCRIPTION	DRAWN APPD.	DATE
A	REDRAWN AND REVISED	G.A. JOHNSON W.J. MUELLER	11/13/90 11/28/90
B	ADDED PIN SYNC CHASSIS	G.A. JOHNSON W.J. MUELLER	3/21/91 3/25/91
C	REMOVED FWD INJ. MANUAL TROMBONES & CORRECTED MUX SWITCH POSITIONS	G.A. JOHNSON W.J. MUELLER	7/20/94 7/25/94
D	NAME & CONTROL CHANGES	W.J. MUELLER	
E	ADDED AMPS, COUPLERS, CHANGED 4 THROW TO 2 THROW SWITCH, FIXED PU PLATE	W.J. MUELLER W.J. MUELLER	10/10/01
F	REPLACED SUMMERS WITH HYBRIDS, DELTA OUTPUTS SUMMED THRU AMPS TO SWITCH TREE	W.J. MUELLER W.J. MUELLER	6/23/05
G			



NOTES:

- AMPLIFIER GAINS ARE NOMINAL.
- AMP REGULATOR BUS HAS ON/OFF CONTROL, HIGH/LOW VOLTAGE STATUS, AND HIGH/LOW CURRENT STATUS.
- BOLD LINES INDICATE MAIN SIGNAL PATH
-

CABLE SCHEDULE			
NO.	CABLE NAME	CABLE NO.	SIZE
1	PLC TO REGULATOR	CPAL01	22GA/10C
2	PLC TO REGULATOR	CPAL02	22GA/10C
3	PHASE FWD (UPSTREAM)	S2A602-1	FLEXLINE, 2091PS
4	PHASE FWD (DOWNSTREAM)	S2A602-2	FLEXLINE, 2097PS
5	LL TO ML, TO STUBROOM	CPLMRP	1/2" HELIAX
6	LL TO S4A605 IN A60 STUB		1/2" HELIAX
7	TROMBONE DRIVE	CPTL01 PWR	16GA/2 TPS
8	TROMBONE READBACK	CPTL01 RDBK	22GA/4 TPS
9			
10			
11			
12			
13			
14			

6/23/05

ITEM NO.	PART NO.	DESCRIPTION OR SIZE	QTY. REQ.
PARTS LIST			
UNLESS OTHERWISE SPECIFIED		ORIGINATOR	R.J. PASQUINELLI
		DATE	7/29/90
FRACTIONS	DECIMALS	ANGLES	DRAWN
			WESLEY MUELLER
			9/26/96
+/-	+/-	+/-	CHECKED
1. BREAK ALL SHARP EDGES 1/64 MAX.			APPROVED
2. DO NOT SCALE DRAWING			USED ON
3. DIMENSIONING IN ACCORD WITH ANSI Y14.5 STD'S			
✓ MAX. ALL MACHINED SURFACES			MATERIAL-
FERMI NATIONAL ACCELERATOR LABORATORY UNITED STATES DEPARTMENT OF ENERGY			
ANTI-PROTON SOURCE CORE MOMENTUM SYSTEM (2-4 GHZ) LOW LEVEL ELECTRONICS			
SCALE	FILMED	DRAWING NUMBER	REV.
		8000-ED-170271	F