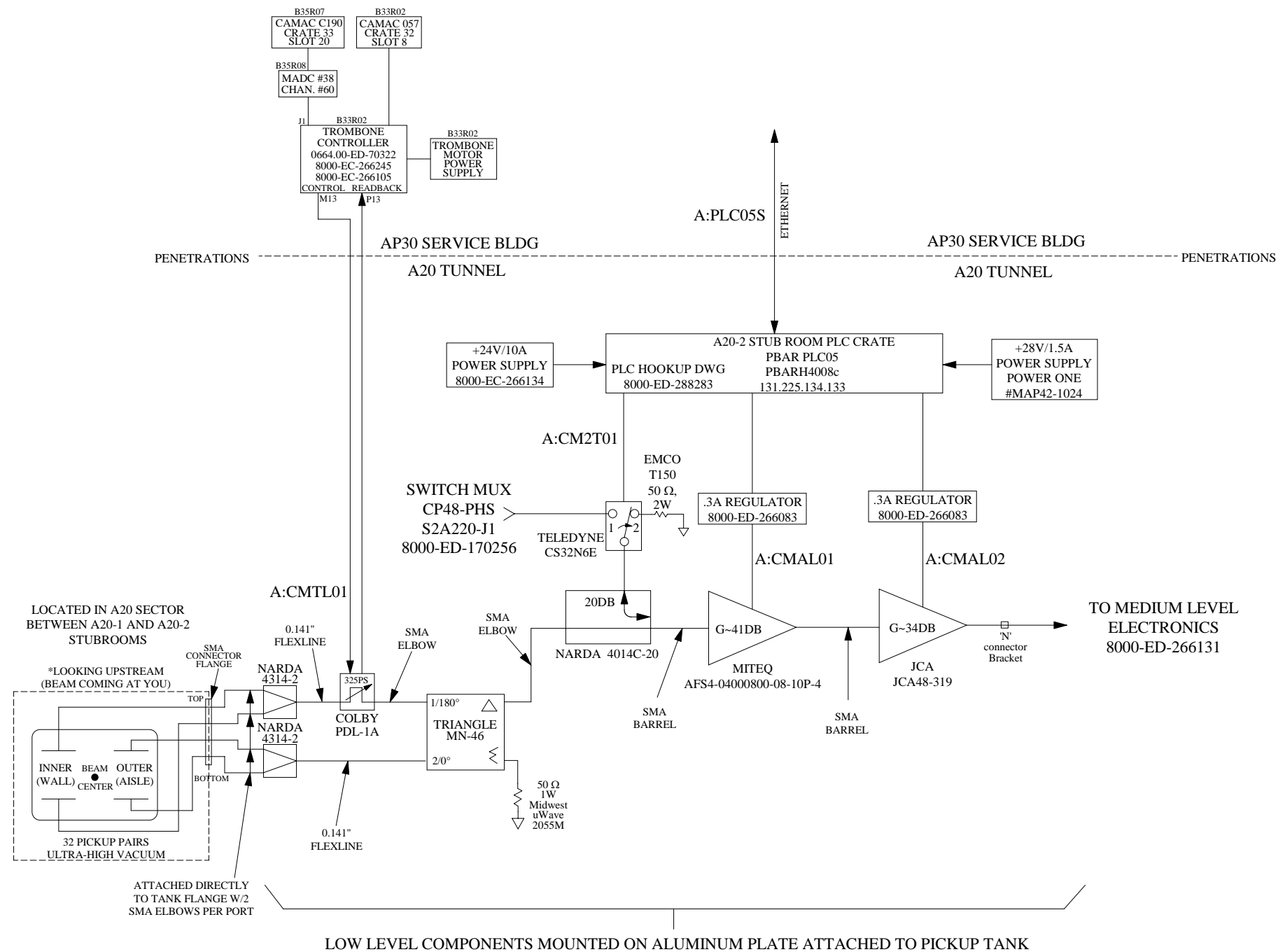



REV.	DESCRIPTION	DRAWN	DATE
		APPD.	DATE
A	ADDED A:CM2T01 SWITCH TO INJ. COUPLER	G.A. JOHNSON	2/14/91
		WES MUELLER	2/15/91
B	ADDED MUX A:CMFIO1 AMP	G.A. JOHNSON	2/8/93
		WES MUELLER	2/11/93
C	10 DB PAD ADDED AFTER AMP	G.A. JOHNSON	4/21/93
		WES MUELLER	4/27/93
D	REDRAWN ON MINI-CAD, NAME/CONTROL CHANGES	WES MUELLER	8/14/98
		WES MUELLER	
E	CONTROLS CHANGED TO PLC	WES MUELLER	7/27/99
		WES MUELLER	
F	PAD CHANGE	WES MUELLER	10/10/01
		WES MUELLER	
G	PAD CHANGE	WES MUELLER	5/4/05
		WES MUELLER	
H	RE-MADE LOW LEVEL, CHANGED AMP	WES MUELLER	4/18/06
		WES MUELLER	
J	REMOVED 4-PORT HYBRID, ADDED TWO SPLITTERS, 2-PORT HYBRID, AND TROMBONE	WES MUELLER	3/28/08
		WES MUELLER	



- NOTES:**
1. AMPLIFIER GAINS ARE NOMINAL.
  2. AMP REGULATOR BUS HAS ON/OFF CONTROL, HIGH/LOW VOLTAGE STATUS, AND HIGH/LOW CURRENT STATUS.

3/28/08

ITEM NO.	PART NO.	DESCRIPTION OR SIZE	QTY. REQ.
PARTS LIST			
UNLESS OTHERWISE SPECIFIED		ORIGINATOR	R.J. PASQUINELLI
FRACTIONS	DECIMALS	ANGLES	DRAWN WESLEY MUELLER 8/14/98
+/-	+/-	+/-	CHECKED
1. BREAK ALL SHARP EDGES 1/64 MAX.		APPROVED	
2. DO NOT SCALE DRAWING		USED ON	
3. DIMENSIONING IN ACCORD WITH ANSI Y14.5 STD'S		MATERIAL-	
✓ MAX. ALL MACHINED SURFACES			
 FERMI NATIONAL ACCELERATOR LABORATORY UNITED STATES DEPARTMENT OF ENERGY			
ANTI-PROTON SOURCE CORE MOMENTUM (4-8 GHZ) LOW LEVEL ELECTRONICS			
SCALE	FILMED	DRAWING NUMBER	REV.
		8000-ED-266130	J