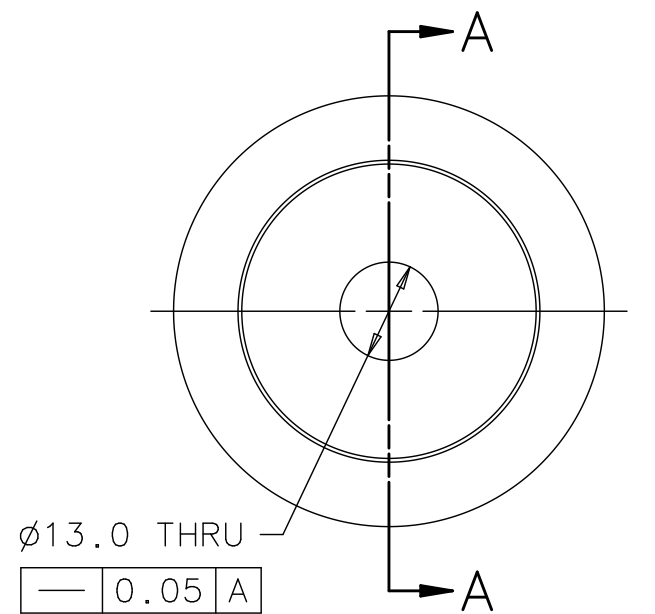
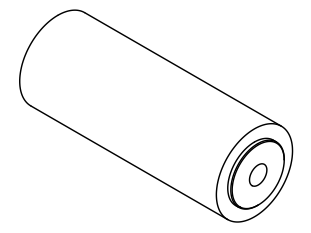
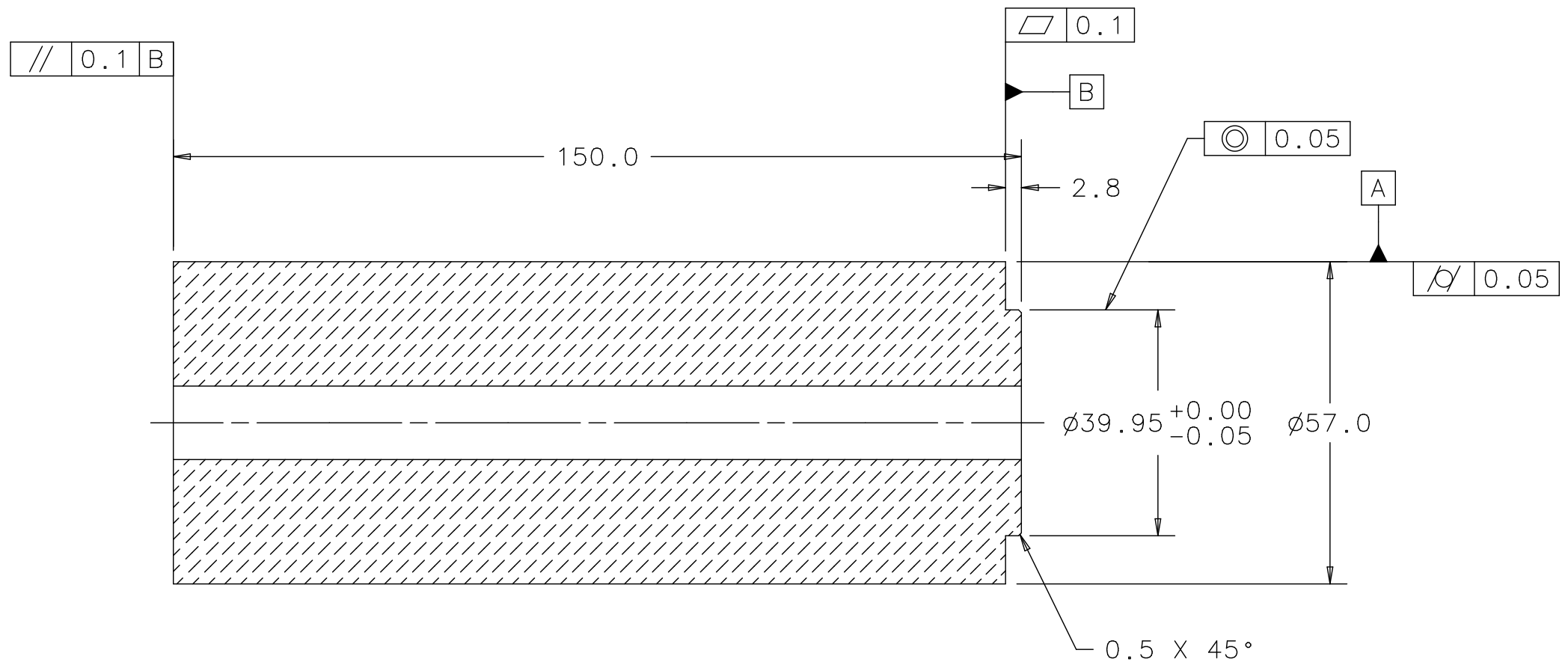


REV	DESCRIPTION	DRAWN	DATE
		APPROVED	DATE



SECTION A-A
SCALE 1:1

UNLESS OTHERWISE SPECIFIED			ORIGINATOR	M.MCGEE	07-AUG-2013
METRIC	X.X	ANGLES	DRAWN	R.STEWART	07-AUG-2013
± 0.25	± 0.1	± .5°	CHECKED	D.SCHMITT	06-SEP-2013
1. BREAK ALL SHARP EDGES 0.4 MAX. 2. DO NOT SCALE DRAWING. 3. DIMENSIONS BASED UPON ASME Y14.5M-1994 4. MAX. ALL MACH. SURFACES 1.6 / √ 5. DRAWING UNITS: METRIC			APPROVED	M.MCGEE	06-SEP-2013
			USED ON		
			MATERIAL		
			GRAPHITE ROD RINGSBORFF R7650		

 **FERMI NATIONAL ACCELERATOR LABORATORY**
UNITED STATES DEPARTMENT OF ENERGY

**NOVA-ANU TARGET HALL
MEDIUM ENERGY BAFFLE
BAFFLE CORE US**

SCALE	DRAWING NUMBER	SHEET	REV
1:1	8875.000-MB-433948	1 OF 1	

CREATED WITH : Ideas12NXSeries GROUP: ACCELERATOR MECH. SUPPT.