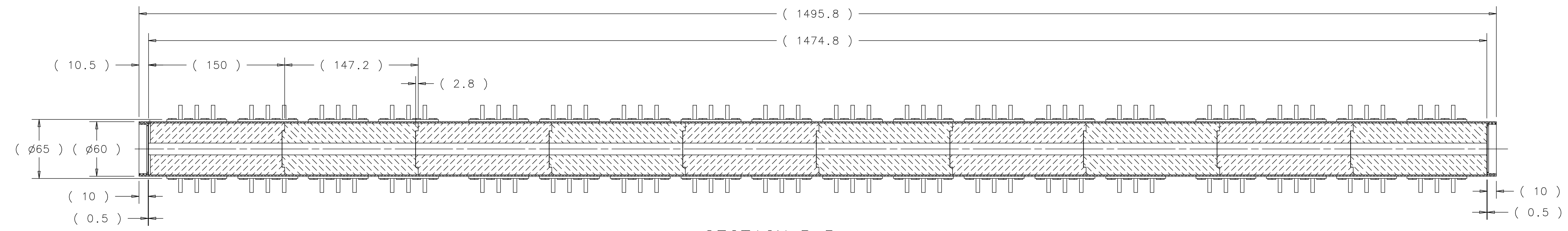
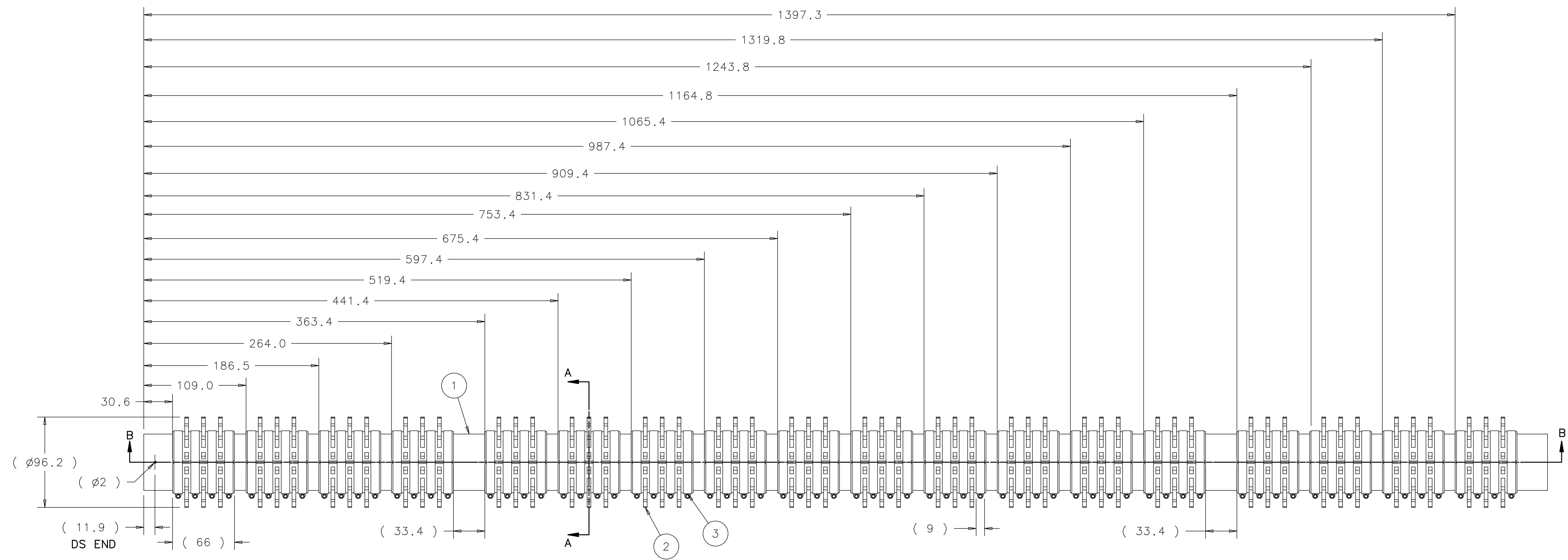
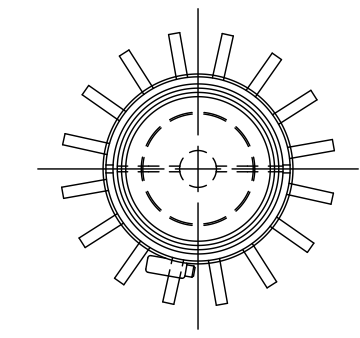
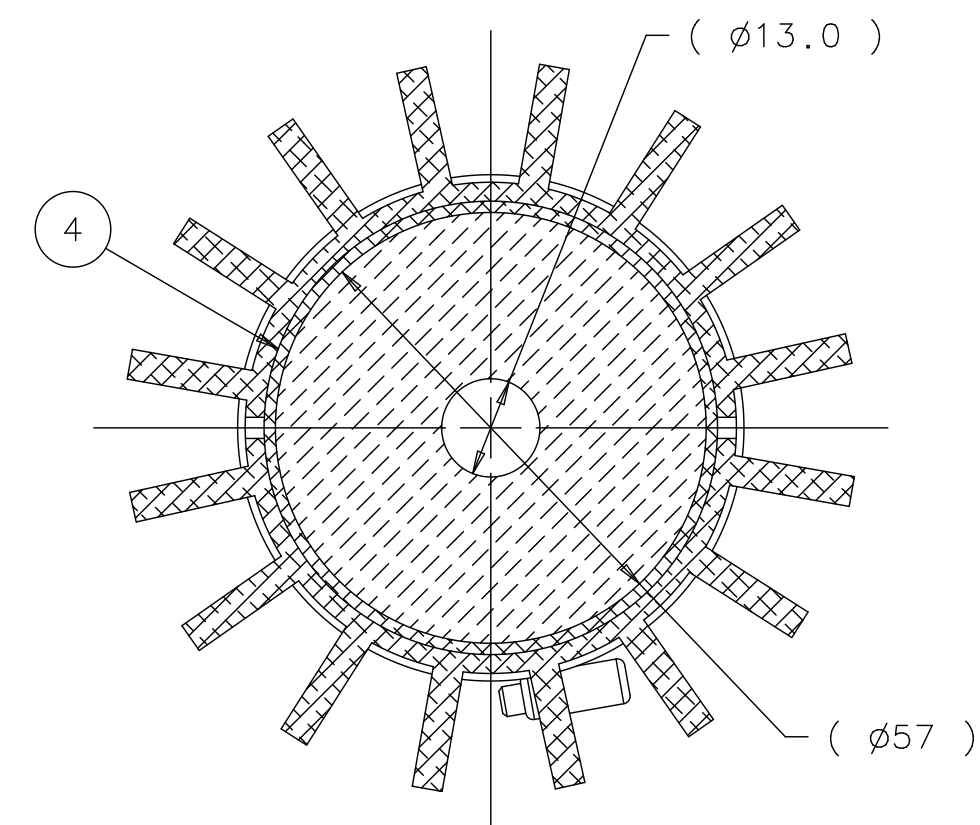


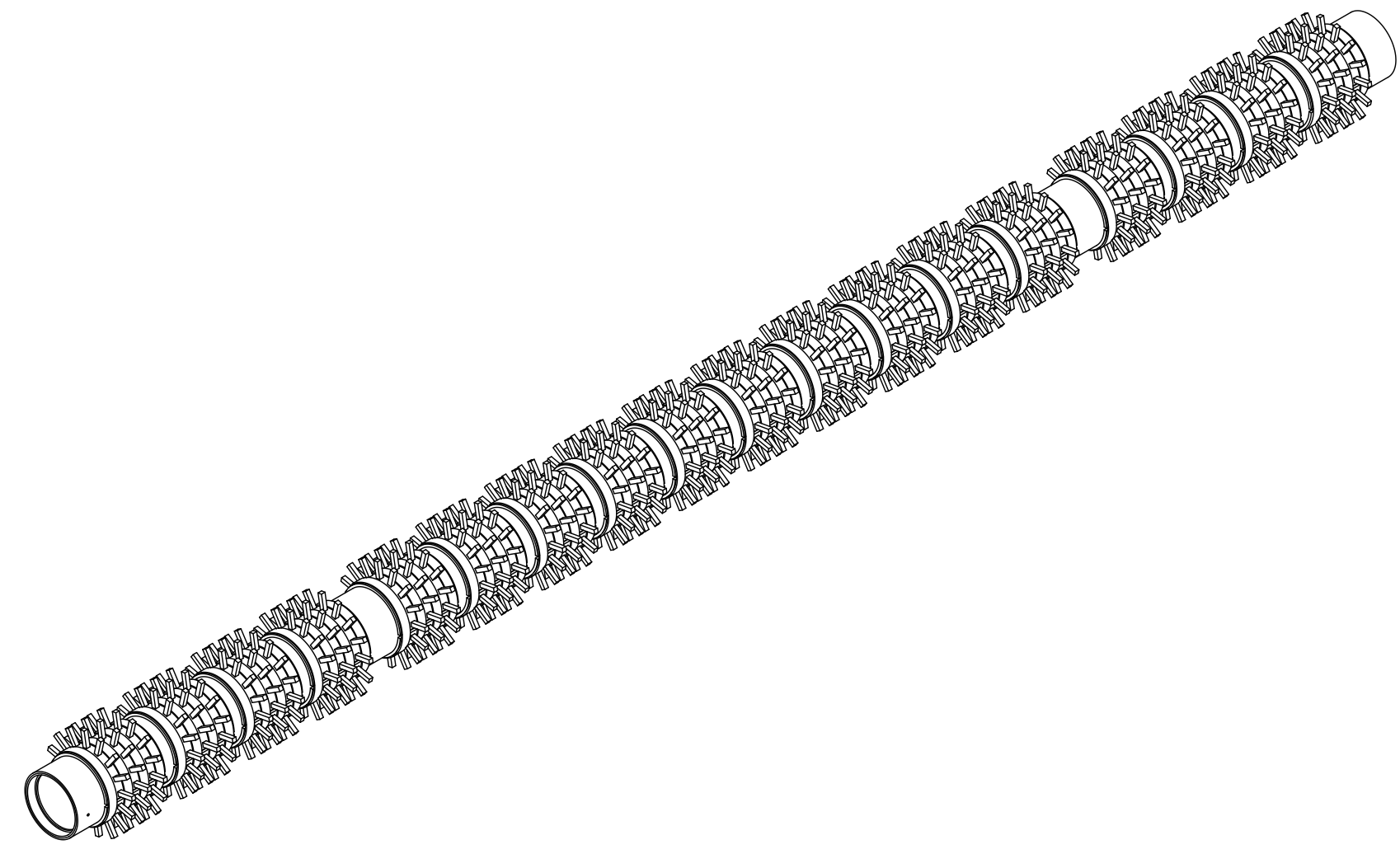
REV	DESCRIPTION	DRAWN	DATE
		APPROVED	DATE



SECTION B-B
SCALE 3:8



SECTION A-A
SCALE 1:1



ITEM	PART NO.	DESCRIPTION OR SIZE	QTY.
4	SIGRAFLEX	0.005" THICK EXPANDED GRAPHITE FOIL 66mm WIDTH X ø60mm	18
3	NORMA #1266704060	50-70MM 304 SS CLAMP HOSE	72
2	MC-433957	BAFFLE PIN RADIATOR	18
1	MC-433951	BAFFLE WELDMENT	1

PARTS LIST				
UNLESS OTHERWISE SPECIFIED		ORIGINATOR	M.MCGEE	07-AUG-2013
METRIC	X.X	ANGLES	DRAWN	R.STEWART 07-AUG-2013
± 0.25	± 0.1	± .5°	CHECKED	D.SCHMITT 06-SEP-2013
1. BREAK ALL SHARP EDGES 0.4 MAX.		APPROVED	M.MCGEE	06-SEP-2013
2. DO NOT SCALE DRAWING.		USED ON	MD-433613	
3. DIMENSIONS BASED UPON ASME Y14.5M-1994		MATERIAL	SEE PARTS LIST ABOVE	
4. MAX. ALL MACH. SURFACES 1.6				
5. DRAWING UNITS: METRIC				

FERMI NATIONAL ACCELERATOR LABORATORY
UNITED STATES DEPARTMENT OF ENERGY

NOVA-ANU TARGET HALL
MEDIUM ENERGY BAFFLE
ø13MM APERTURE BAFFLE ASSEMBLY

SCALE	DRAWING NUMBER	SHEET	REV
3:8	8875.000-MD-433950	1 OF 1	

CREATED WITH : Ideas12NXSeries GROUP: ACCELERATOR MECH. SUPPT.