

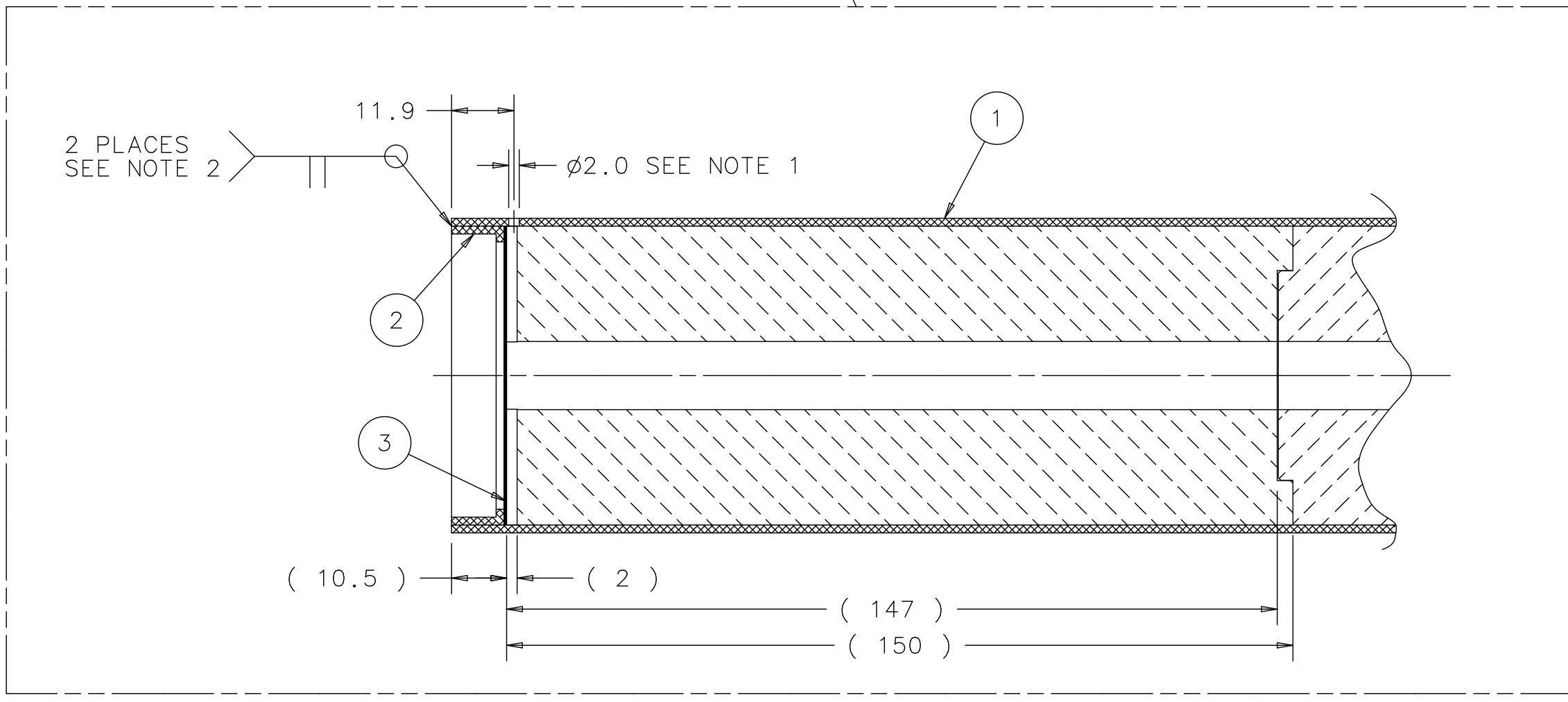
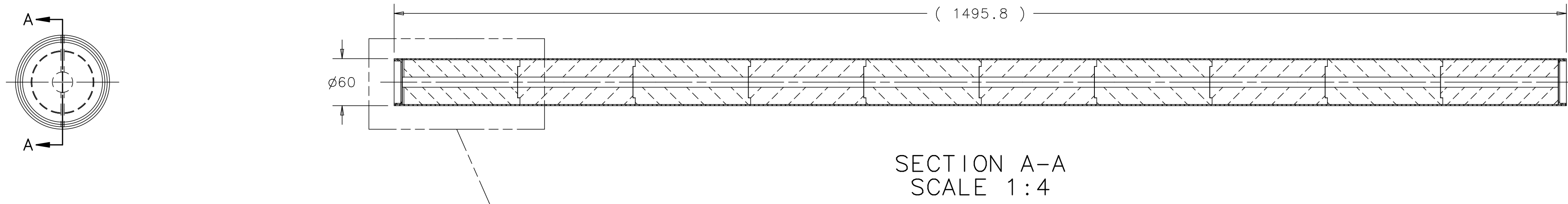
4

3

2

1

REV	DESCRIPTION	DRAWN	DATE
		APPROVED	DATE



ITEM	PART NO.	DESCRIPTION OR SIZE	QTY.
3	MB-433954	BAFFLE BERYLLIUM DISC	2
2	MB-433955	BAFFLE WINDOW RETAINING CUP	2
1	MC-433952	BAFFLE SHRINK FIT	1

PARTS LIST			
UNLESS OTHERWISE SPECIFIED	ORIGINATOR	M.MCGEE	07-AUG-2013
METRIC	X.X	ANGLES	DRAWN
± 0.25	± 0.1	± .5°	R.STEWART
			CHECKED
			D.SCHMITT
			APPROVED
			M.MCGEE
			06-SEP-2013
1. BREAK ALL SHARP EDGES 0.4 MAX.		USED ON	
2. DO NOT SCALE DRAWING.		MD-433950	
3. DIMENSIONS BASED UPON ASME Y14.5M-1994		MATERIAL	
4. MAX. ALL MACH. SURFACES 1.6		SEE PARTS LIST ABOVE	
5. DRAWING UNITS: METRIC			

FERMI NATIONAL ACCELERATOR LABORATORY
UNITED STATES DEPARTMENT OF ENERGY

NOVA-ANU TARGET HALL
MEDIUM ENERGY BAFFLE
BAFFLE WELDMENT

SCALE	DRAWING NUMBER	SHEET	REV
1:2	8875.000-MC-433951	1 OF 1	

CREATED WITH : Ideas12NXSeries GROUP: ACCELERATOR MECH. SUPPT.

NOTES: 1. LOCATE AND DRILL $\phi 2.0$ mm HOLE ON DS END ONLY AS SHOWN IN DETAIL "B".
 2. INSERT ITEM 3 (BERYLLIUM DISC) AND THEN ITEM 2 (WINDOW RETAINING CUP) INTO ITEM 1 AND WELD ON BOTH ENDS.