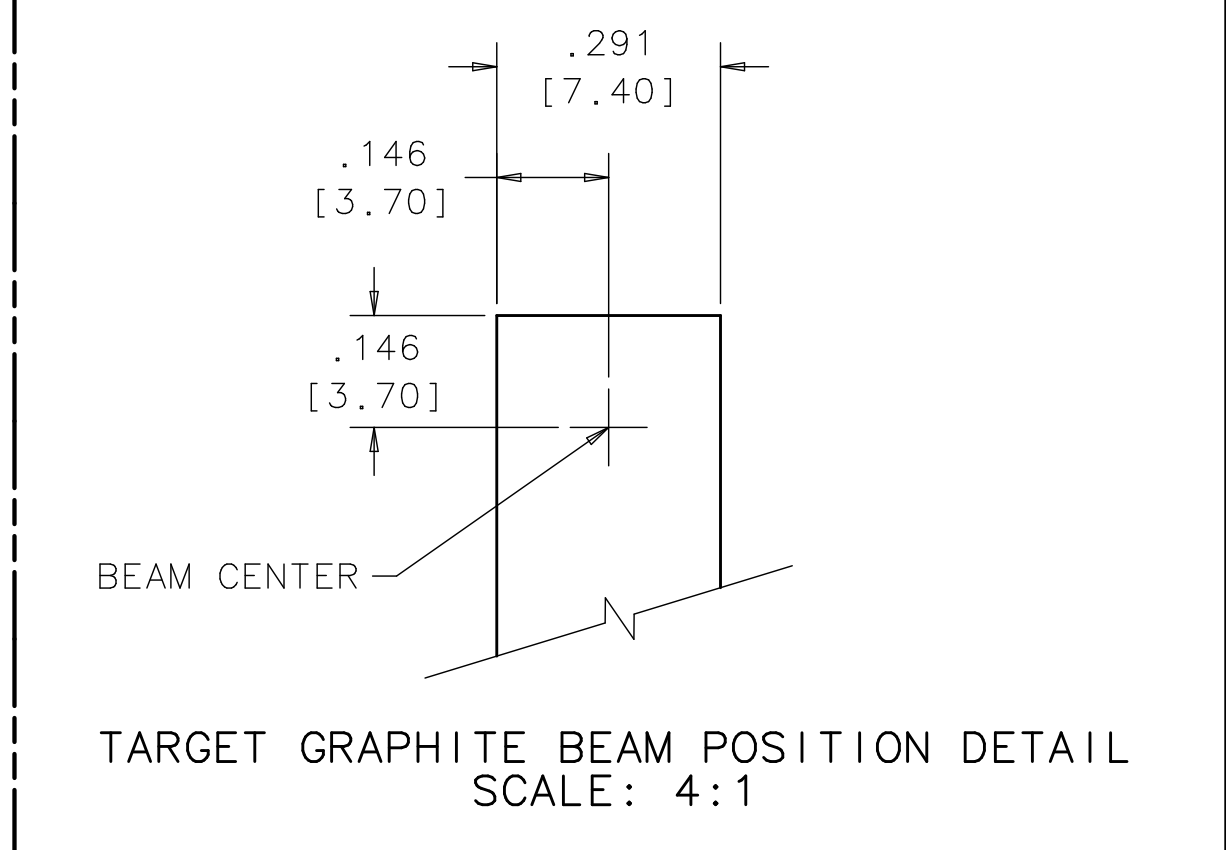
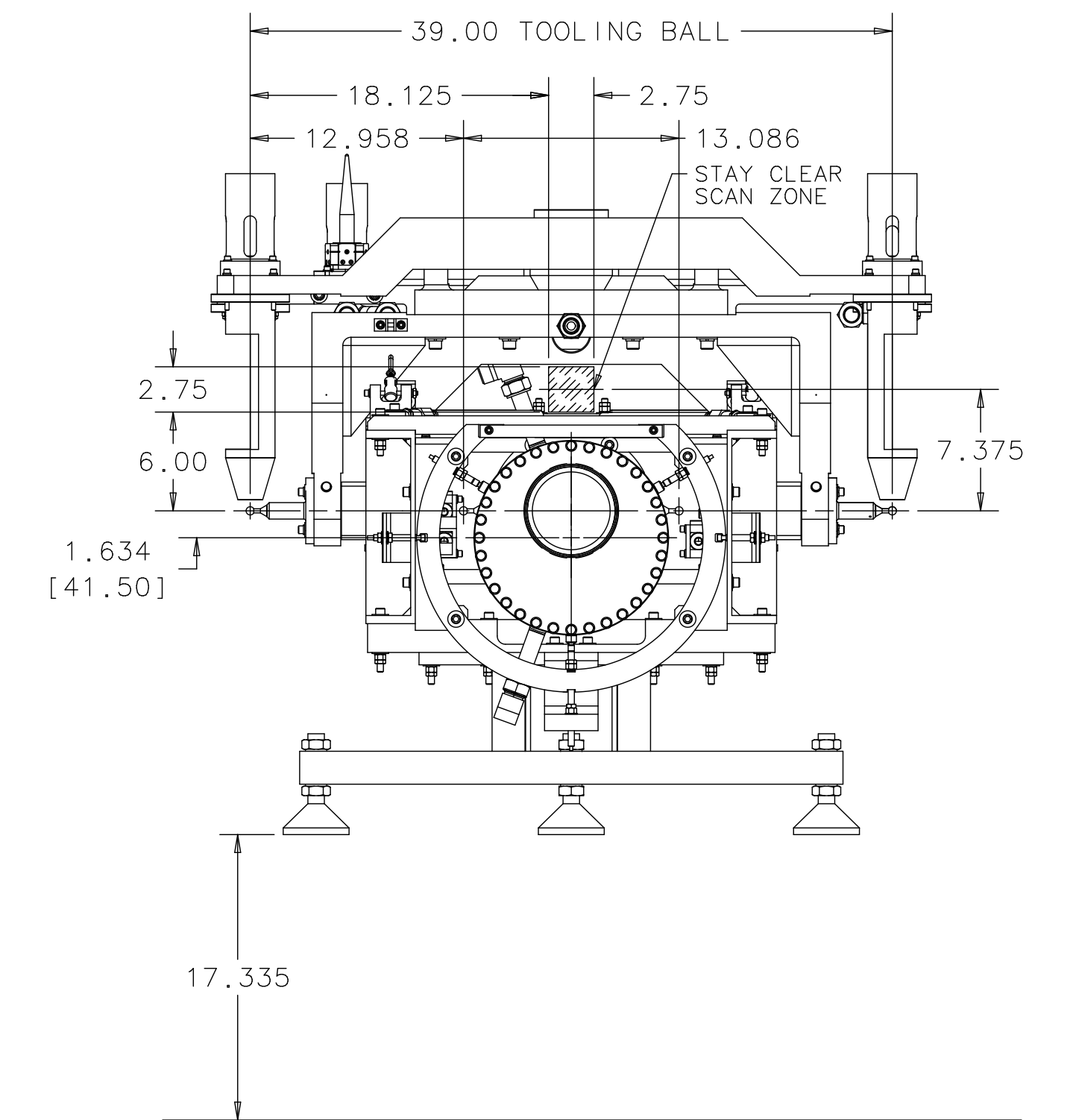
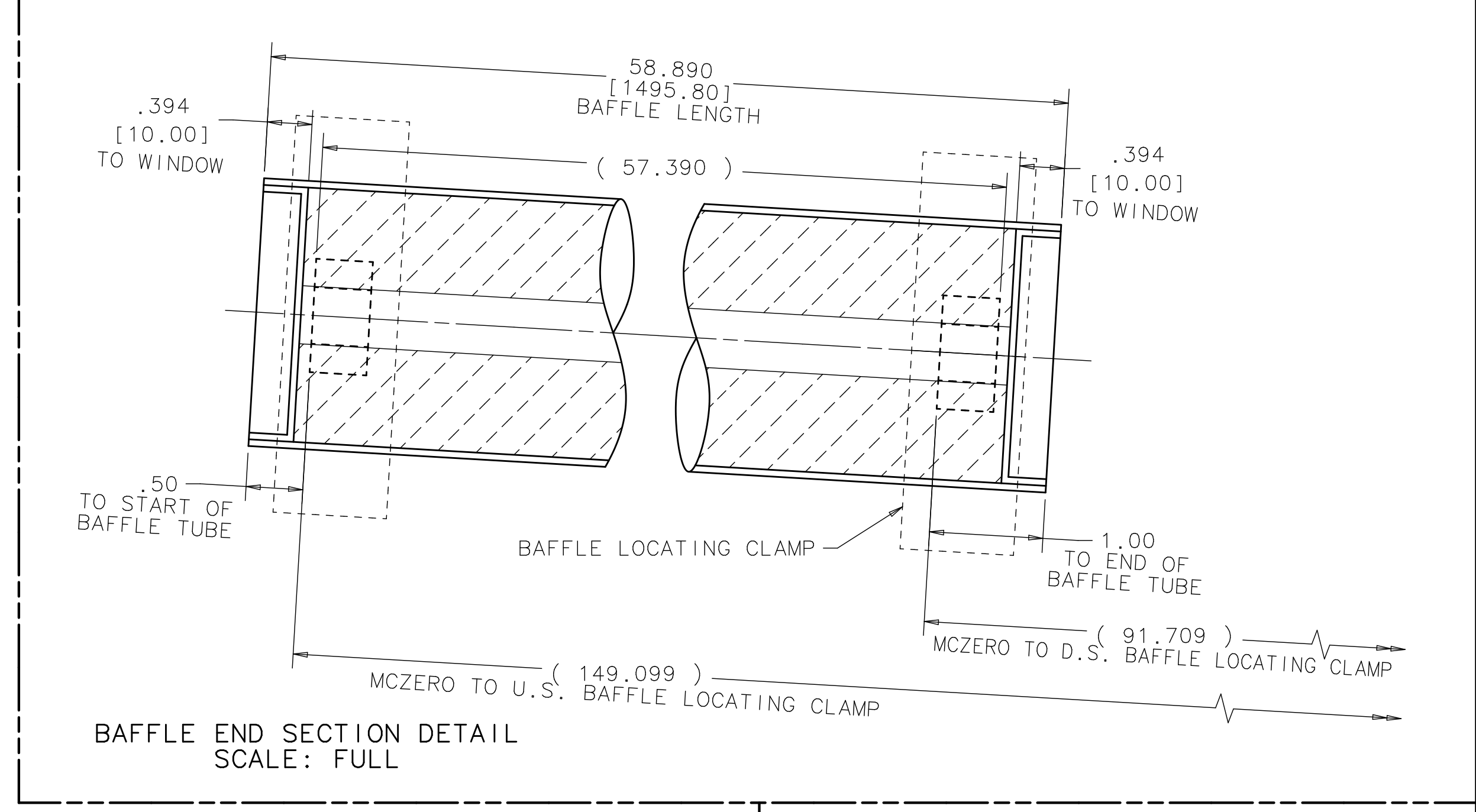
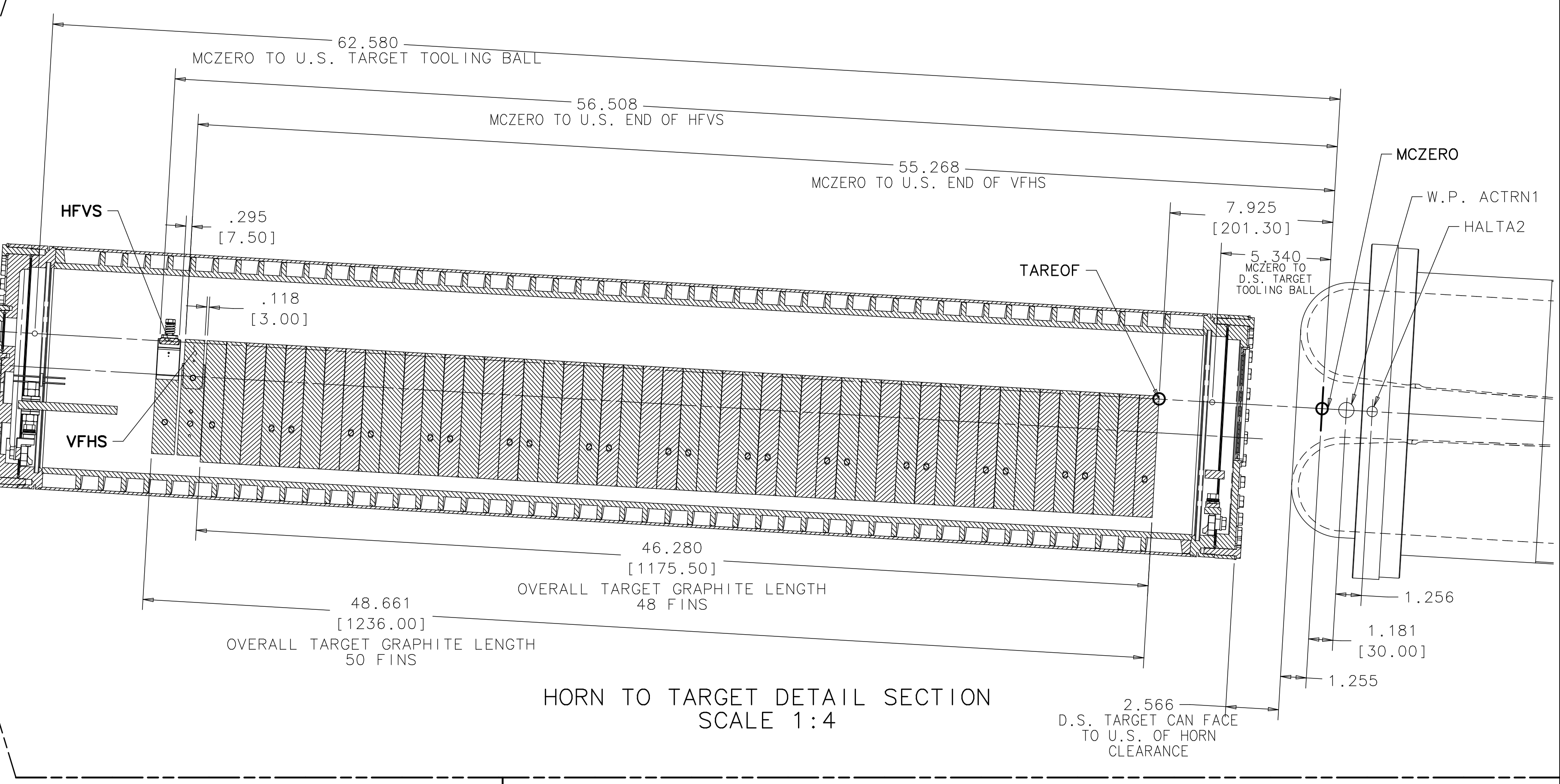
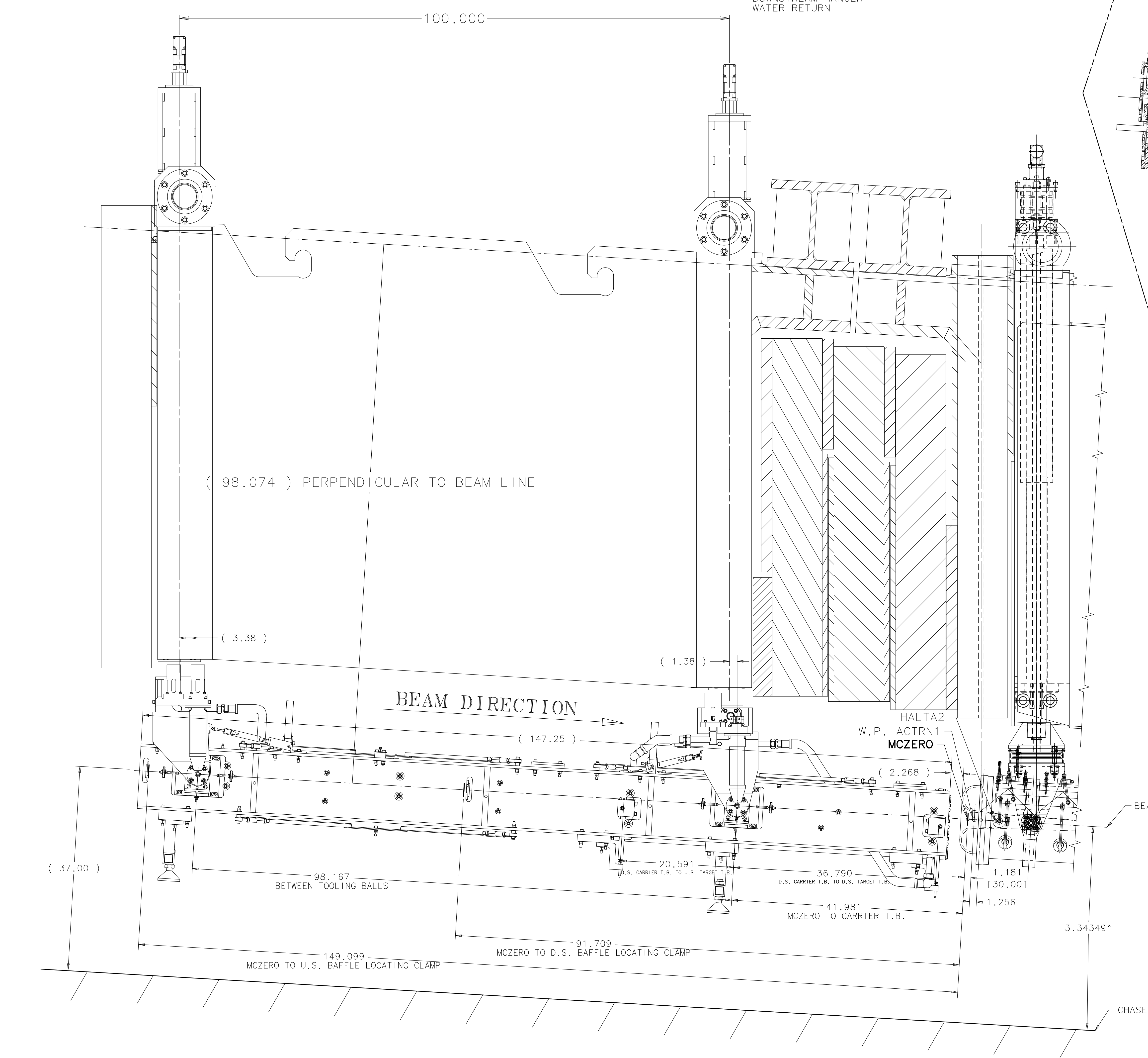
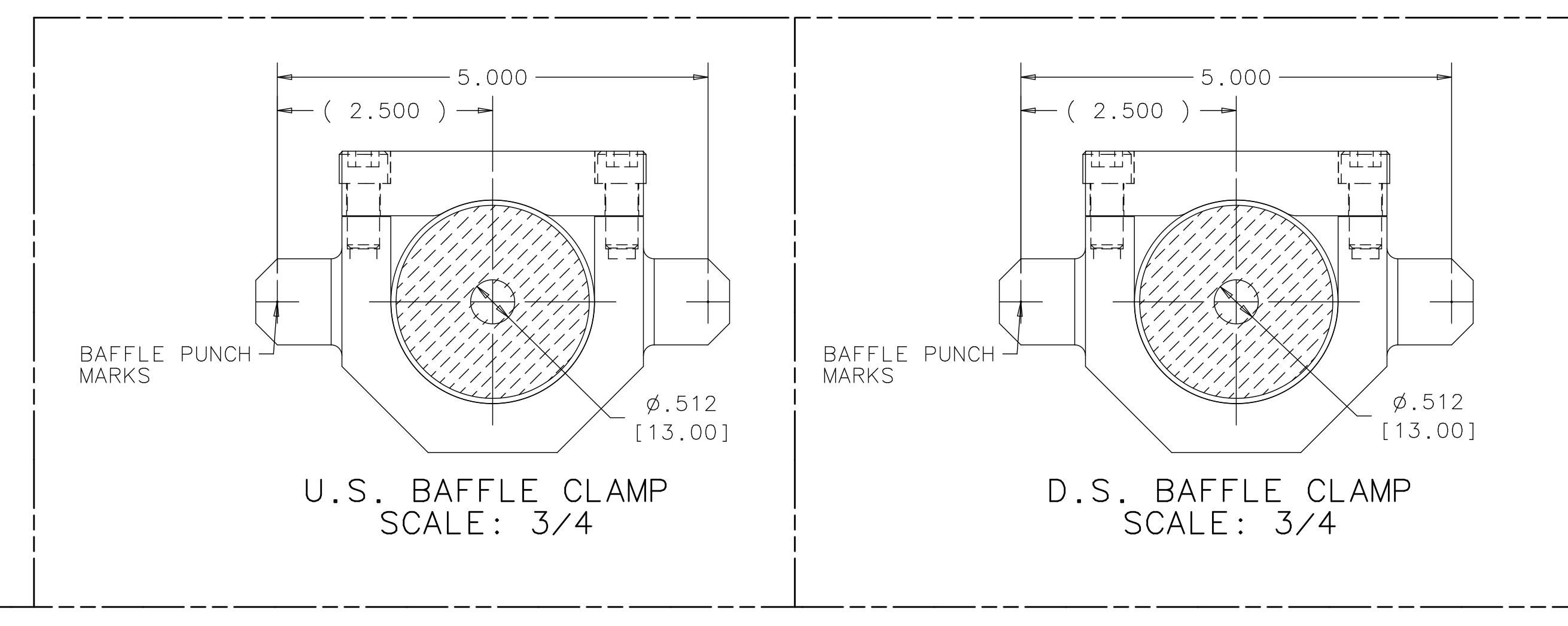
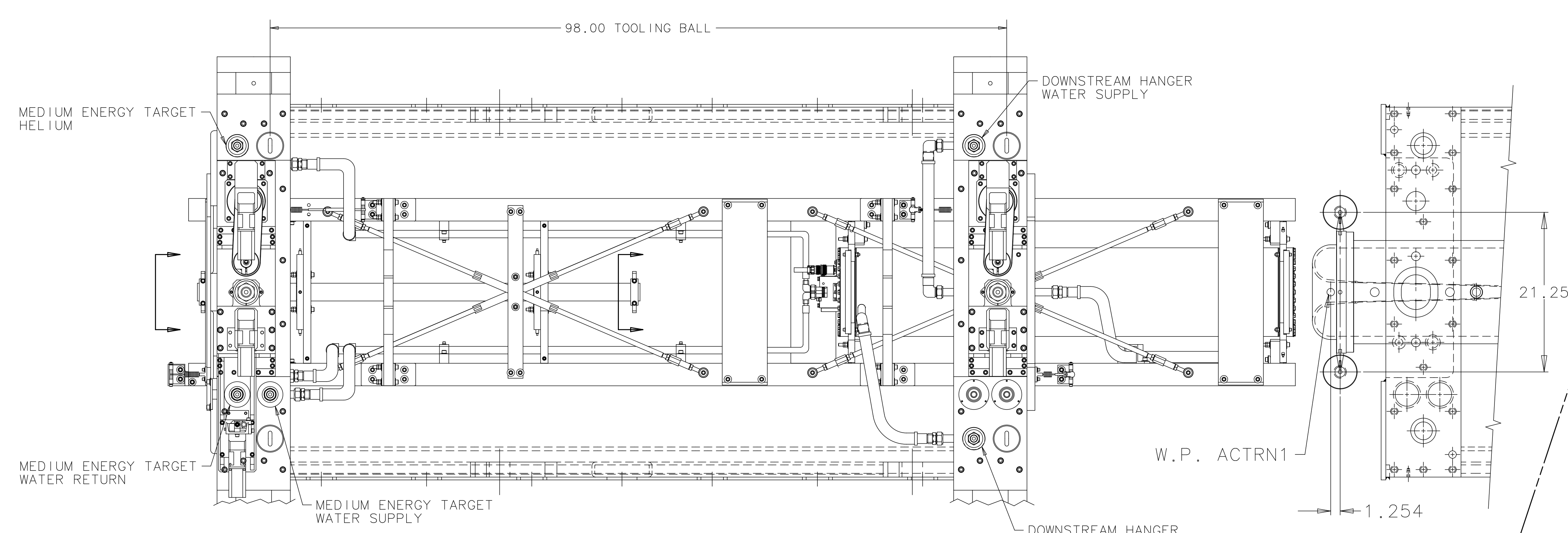


REV	DESCRIPTION	DRAWN APPROVED	DATE



UNLESS OTHERWISE SPECIFIED	ORIGINATOR	M.MCGEE	01-AUG-2013
±	DRAWN	D.HURD	01-AUG-2013
±	CHECKED	M.MCGEE	10-JAN-2014
±	APPROVED	M.MCGEE	10-JAN-2014
1. BREAK ALL SHARP EDGES	USED ON		
2. DO NOT SCALE DRAWING.			
3. DIMENSIONS BASED UPON ASME Y14.5M-1994			
4. MAX. ALL MACH. SURFACES			
5. DRAWING UNITS: U.S. INCH			
<b>FERMI NATIONAL ACCELERATOR LABORATORY</b> UNITED STATES DEPARTMENT OF ENERGY <b>NOVA-ANU TARGET HALL</b> <b>MEDIUM ENERGY TARGET</b> <b>AND HORN 1 INTEGRATION LAYOUT</b>			
SCALE	DRAWING NUMBER	SHEET	REV
AS NOTED	8875.000-ME-433995	1 OF 1	
CREATED WITH: Ideo12NXSeries	GROUP: ACCELERATOR MECH. SUPPL.		